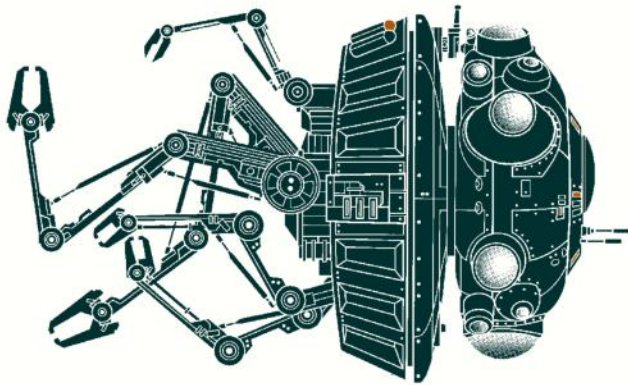
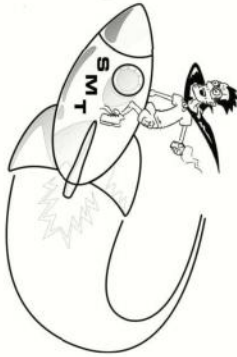


1/6

scale

unassembled resin model kit

SCALE MODEL TECHNOLOGIES
SMT



1:6 Scale Model Kit

Before you begin to assemble your model kit, study the instructions carefully. This will help familiarize you with the location and parts required for assembly. If you wish to paint your model, various components should be painted before the parts are attached. The appropriate color is stated in the paint guide at the end of the instructions. This kit is molded from a plastic resin. Use of a superglue is required for assembly.

For the best finish your model should be painted even if molded in color. Paint should be applied in several light coats rather than one heavy one (the first coat should not completely cover the surface). Each layer should dry thoroughly before sanding with #1200 wet or dry sandpaper that is slightly damp, except for the final coat.

**** Be careful not to remove any detail while sanding ****

Keep your hands clean when working with the model prior to painting. Always thoroughly wash parts to remove any trace of mold release agents, body oils from your hands and sanding residue. A solution of dish washer detergent and water is recommended. Use a tack cloth to dry.

Parting lines and glue joints should be filled and sanded before painting. A filler putty designed for use on plastics should be used to blend and fill contours. This should be applied only after the first primer coat.

When painting a body of two or more colors, the lighter color should be painted first. Use frosted or liquid masking agent to protect any areas you do not want painted. After the paint is dry to the touch you may remove the masking agent. Use a very fine brush to touch up any edges that may require it. If decals are added do so before applying the gloss coat (a gloss or matted coat will help even the edges between the colors, decals and help to prevent unwanted fingerprints from marring the finish).

Prior to cementing any parts together "test fit" them in order to be assure alignment. Also check for excess flash which may be present, use a sharp hobby knife or file if necessary.

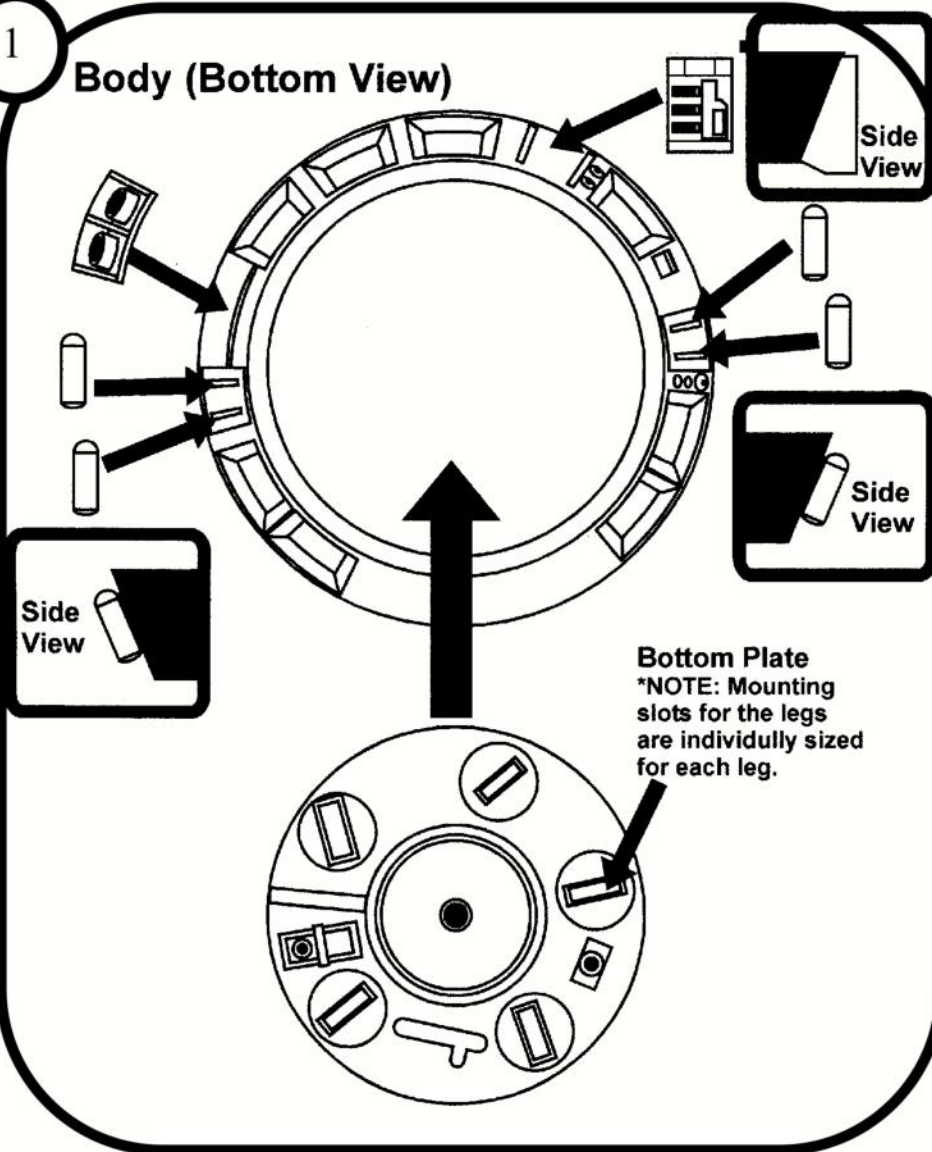
If any parts are warped, apply a small amount of heat (such as a hair dryer or hot water) until you feel the resin soften. Gently bend back to shape.

We take pride in providing kits which are easy to assemble and give attention to detail and workmanship. Should you have any difficulty with missing/broken pieces or assembly please e-mail the address below:

SMTEMAIL@telusplanet.net

1

Body (Bottom View)



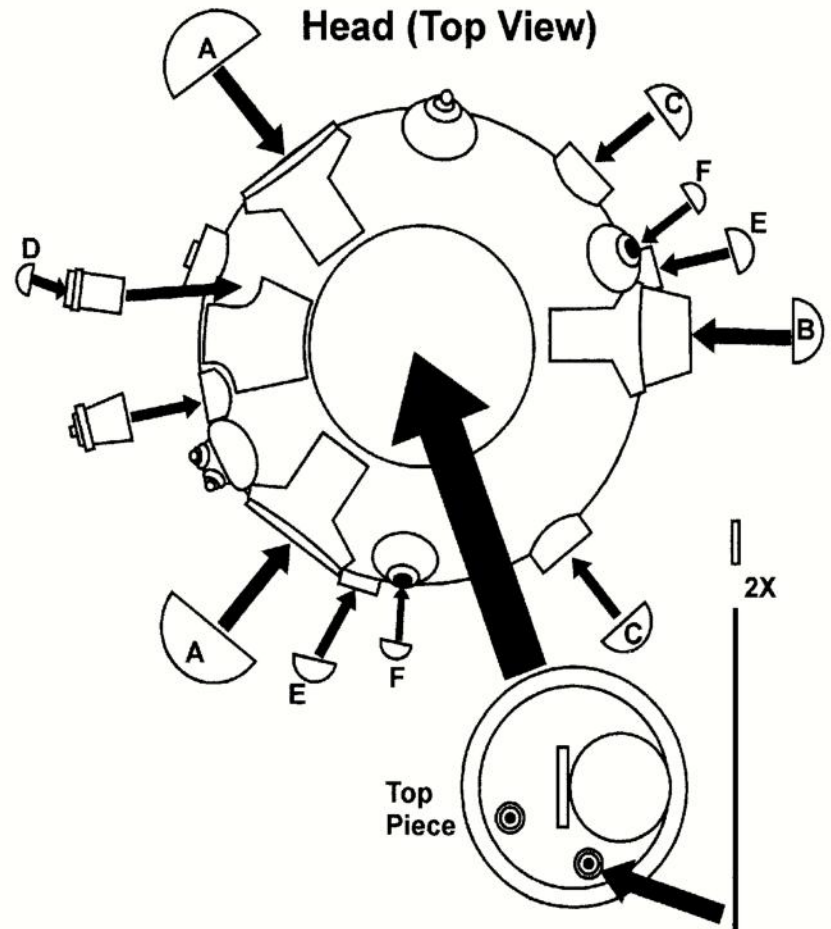
Bottom Plate
 *NOTE: Mounting slots for the legs are individually sized for each leg.

2

6 Eye sizes; drawing NOT to scale.

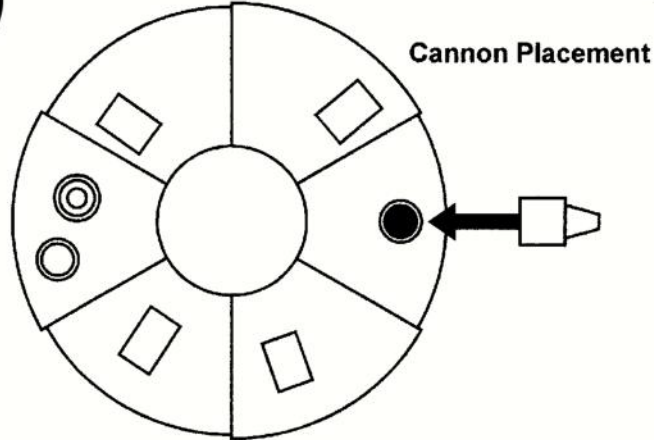


Head (Top View)



Make 2 X 5" antennae from .040 Brass rod provided & 3/8" antennae caps from tubing

3



4

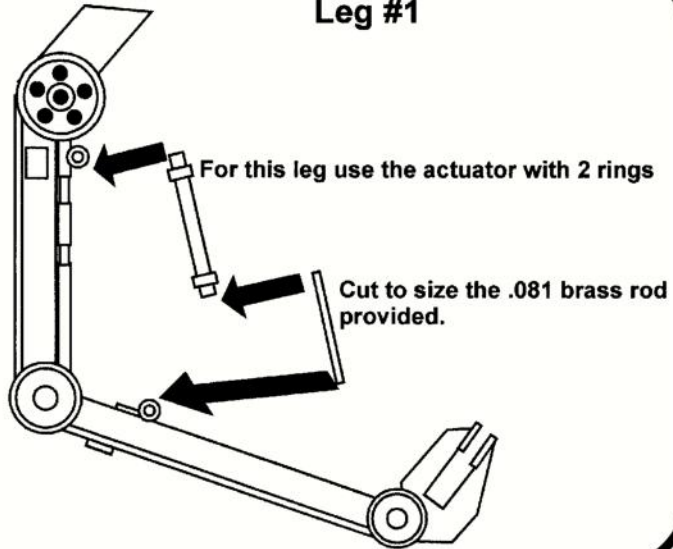
Please read the following paragraph before proceeding to the legs. Thank you.

LEGS: The droid's legs come pre-assembled from the shop. They are held together only by the hollow styrene rod in each joint. This joint is **NOT CEMENTED**. Carefully disassemble them, marking each leg part to know where it belongs. Paint and clean-up before re-assembling. The legs are meant to be poseable, not movable like a toy. You may cement the joints if you wish. If you wish to keep the legs from moving as people look at the model we suggest using a liquid mask to set the legs in place. This will allow you to disassemble and re-position the legs.

ACTUATORS: The styrene (1/8") and brass rod (.81) form the actuators themselves. The styrene rod is pre-cut to length. The end near the ring should be filed to fit the joint securely to the leg. Carefully measure the distance needed for the brass rod and cut to fit. The rod should sit in the styrene tube about 3/16 of an inch in the legs **OUTSTRETCHED** position. Although the actuator may be glued in place we recommend using a liquid mask (rubber) so that they can flex with model during any movement or re-positioning.

4

Leg #1

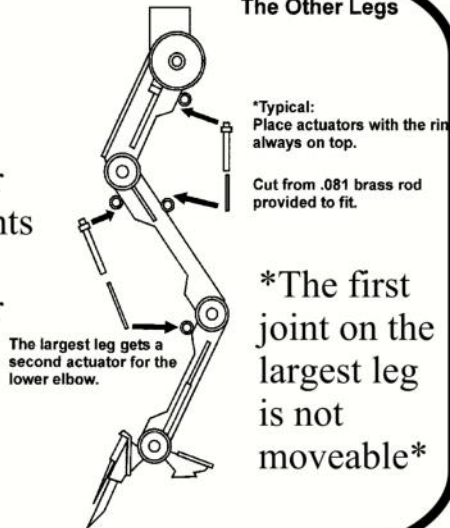


5

The Other Legs

USE:
3/16 pipe for
large leg joints

3/32 pipe for
the small
leg joints



6



Dark Olive Drab overall. Brass should be left bare metal.