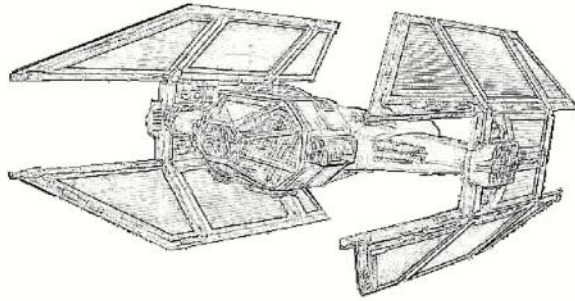
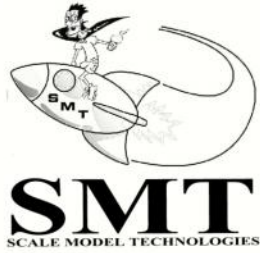


# 1:48 Scale Model Kit



**1/48** <sup>scale</sup> **unassembled model kit**

Model Kit by SMT: <http://smt.theshoppe.com>

Pattern Maker: Alfred Wong, website: <http://members.rogers.com/alterego>

Type: Single seat Starfighter

Operators: Imperial

Armament: 4 laser cannons, 4 missile launchers

The Avenger is developed from the Tie X-1 prototype which flew at the Battle of Yavin.

It is the first standard production ship with shields, hyperdrive and integral warhead launchers. Like previous versions, the Avenger pilots still wear the standard pilot spacesuit. While not as tough or durable, Avengers are faster and more agile than any production Rebel starfighter, making them formidable opponents.

Before you begin to assemble your model kit, study the instructions carefully. This will help familiarize you with the location and parts required for assembly. If you wish to paint your model, various components should be painted before the parts are attached. The appropriate color is stated in the paint guide at the end of the instructions. This kit is molded from a plastic resin. Use of a superglue is required for assembly.

For the best finish your model should be painted even if molded in color. Paint should be applied in several light coats rather than one heavy one (the first coat should not completely cover the surface). Each layer should dry thoroughly before sanding with #1200 wet or dry sandpaper that is slightly damp, except for the final coat.

**\*\* Be careful not to remove any detail while sanding \*\***

Keep your hands clean when working with the model prior to painting. Always thoroughly wash parts to remove any trace of mold release agents, body oils from your hands and sanding residue. A solution of dish washer detergent and water is recommended. Use a tack cloth to dry.

Parting lines and glue joints should be filled and sanded before painting. A filler putty designed for use on plastics should be used to blend and fill contours. This should be applied only after the first primer coat.

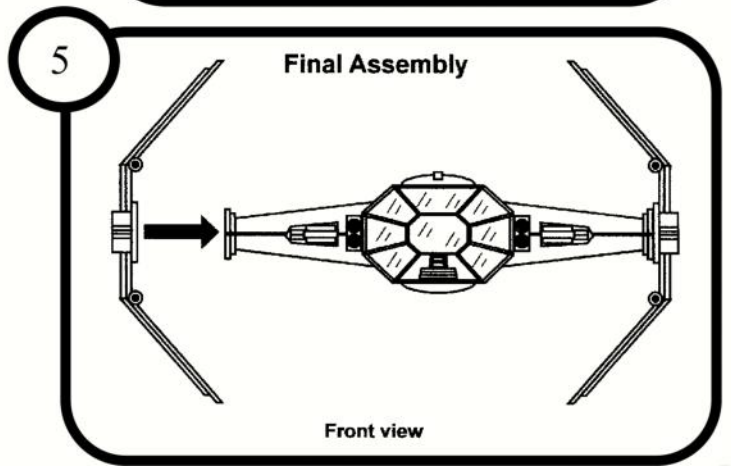
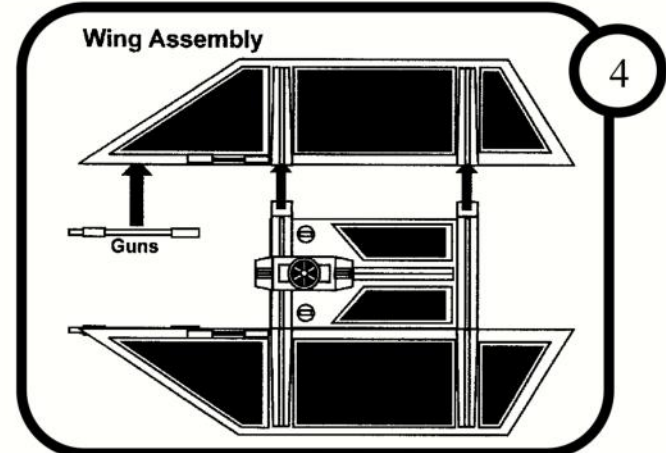
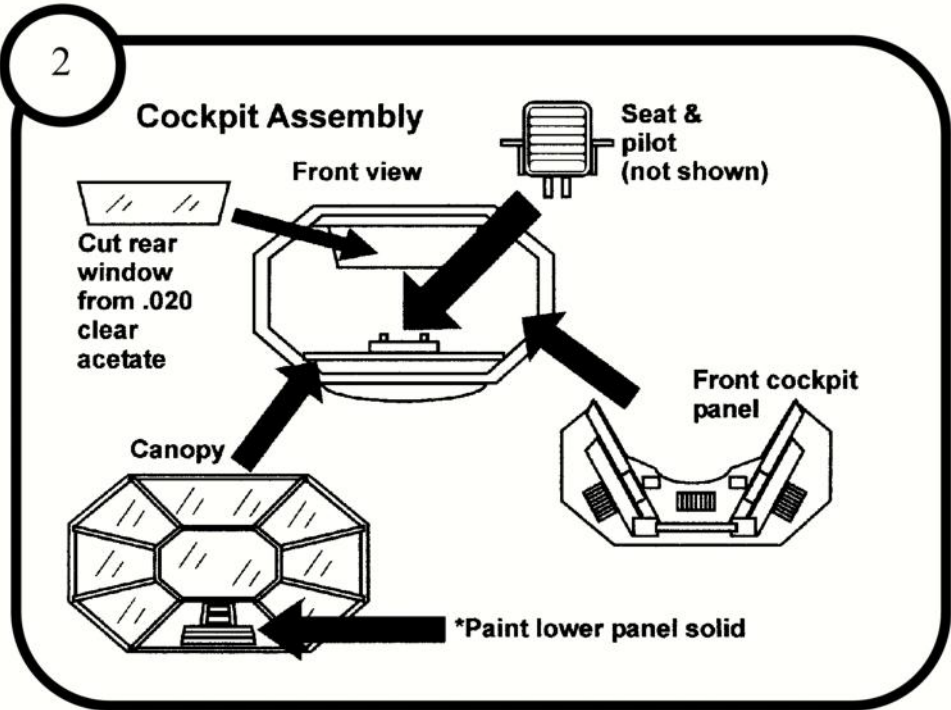
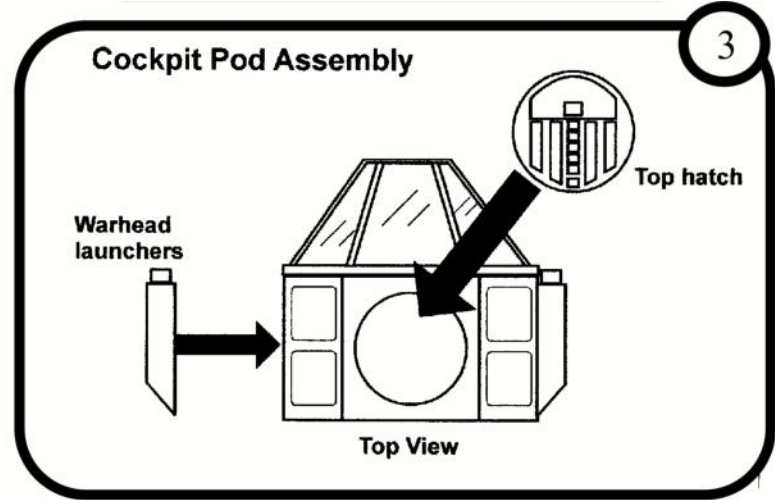
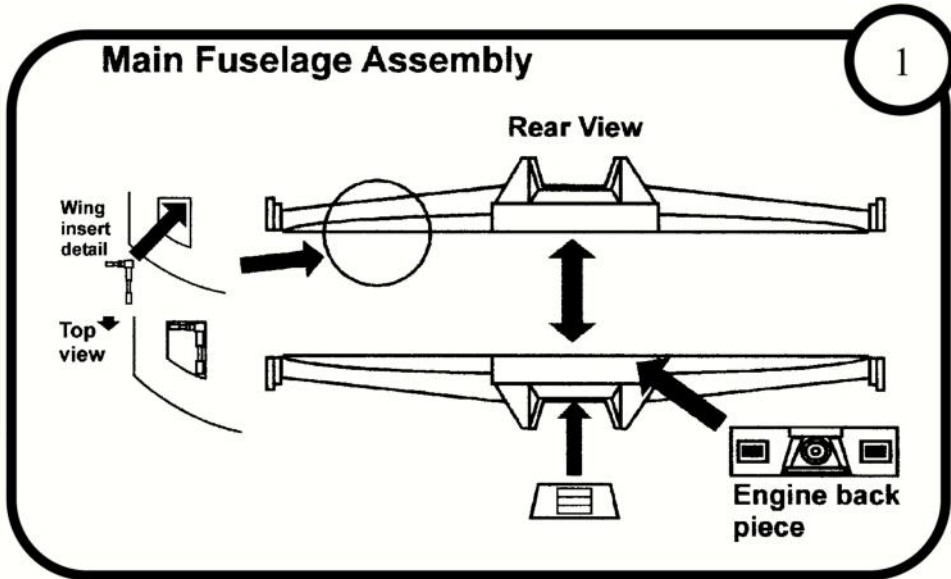
When painting a body of two or more colors, the lighter color should be painted first. Use frosted or liquid masking agent to protect any areas you do not want painted. After the paint is dry to the touch you may remove the masking agent. Use a very fine brush to touch up any edges that may require it. If decals are added do so before applying the gloss coat (a gloss or matted coat will help even the edges between the colors, decals and help to prevent unwanted fingerprints from marring the finish).

Prior to cementing any parts together "test fit" them in order to be assure alignment. Also check for excess flash which may be present, use a sharp hobby knife or file if necessary.

If any parts are warped, apply a small amount of heat (such as a hair dryer or hot water) until you feel the resin soften. Gently bend back to shape.

We take pride in providing kits which are easy to assemble and give attention to detail and workmanship. Should you have any difficulty with missing/broken pieces or assembly please e-mail the address below:

**SMTEMAIL@telusplanet.net**



# Paint Guide

Overall paint color is a Flat Grey/Blue  
Flat black is used for the recessed panel areas  
Flat Dark Grey is used for the interior  
Flat Black is used for the pilot figure  
Photos courtesy of Alfred Wong.

