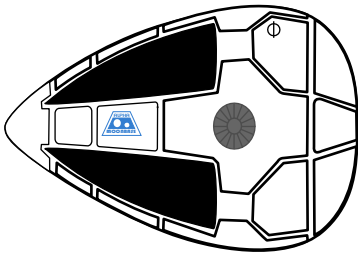


TRANSPORTER I

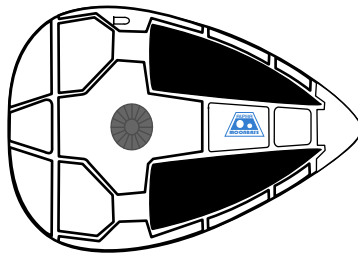
Head decal placement

Decals used
this step

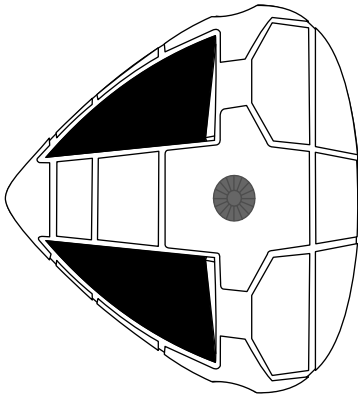
Port View



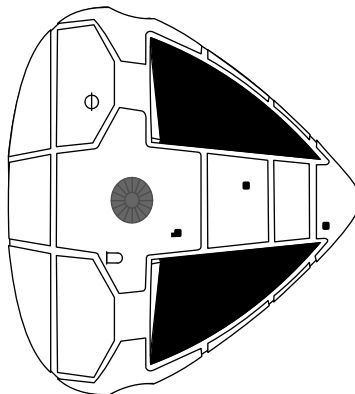
Starboard View



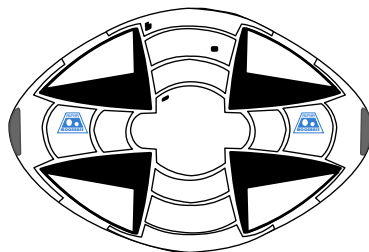
Bottom View



Top View



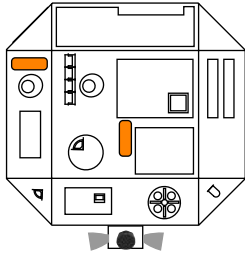
Front View



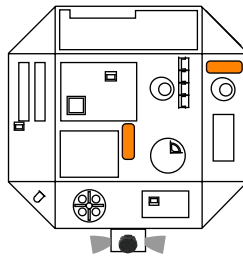
1:87 Scaled Eagle Transporter (MPC rework)	
Client:	Date: Aug 15, 2014
Scale 1:1	Sheet: 1
Draft: #001	of 4
Drawn by: Colin Omilusik Scale Model Technologies	

Fuel Pod decal placement

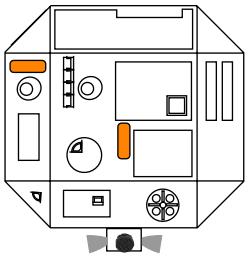
Port Front
Top View



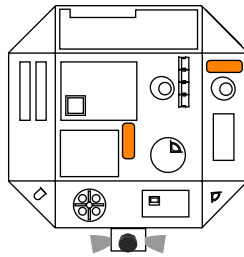
Port Rear
Top View



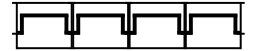
Starboard Rear
Top View



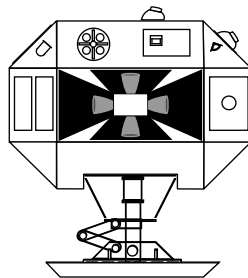
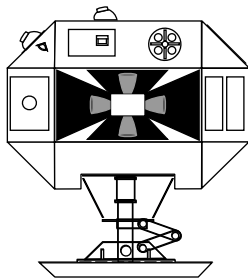
Starboard Front
Top View



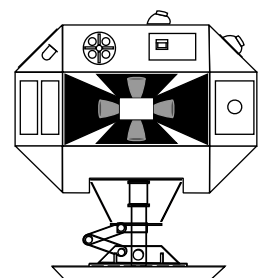
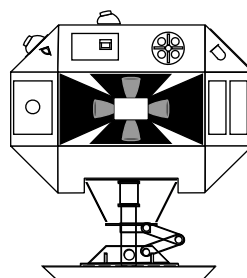
Decals used
this step



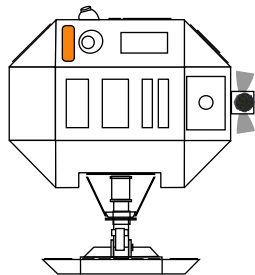
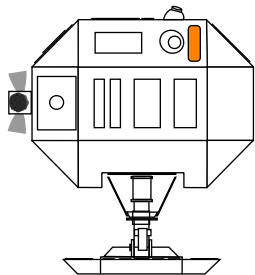
Starboard View



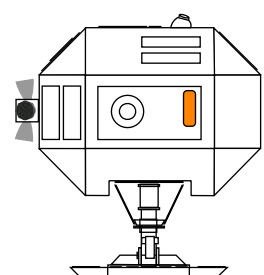
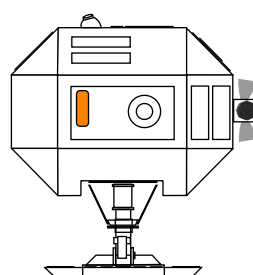
Port View



Outboard View



Inboard View

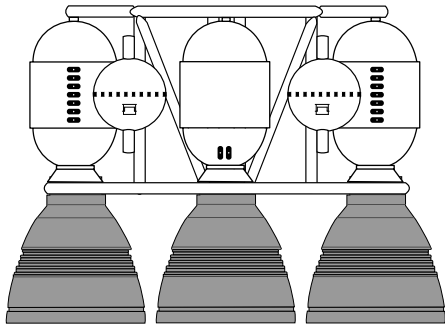


1:87 Scaled Eagle Transporter (MPC rework)	
Client:	Date: Aug 15, 2014
Scale 1:1	Sheet: 2
Draft: #001	of 4
Drawn by: Colin Omilusik Scale Model Technologies	

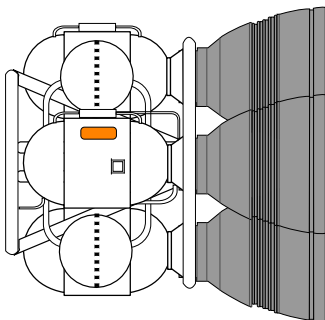
Engine decal placement

Decals used
this step

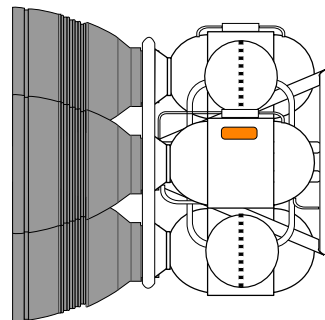
Top/Bottom View



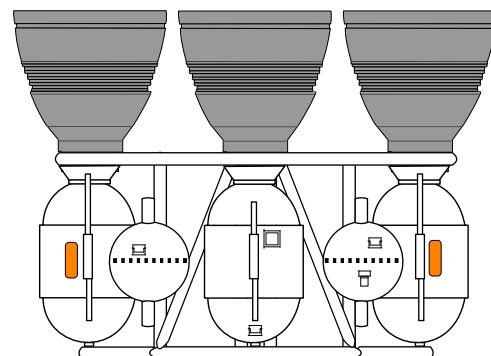
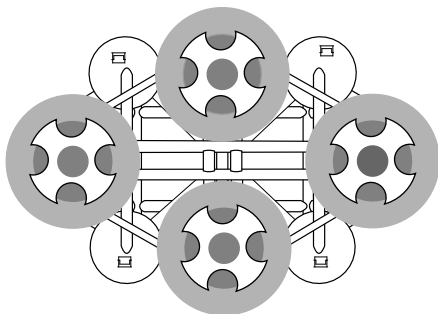
Port View



Starboard View



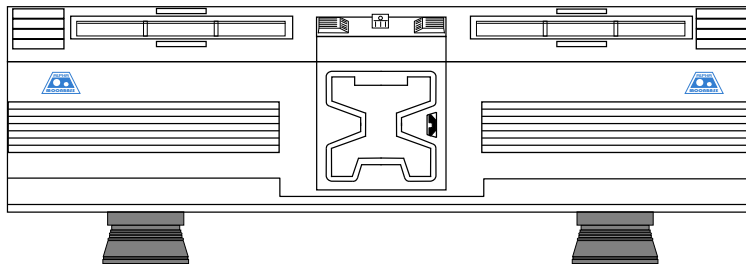
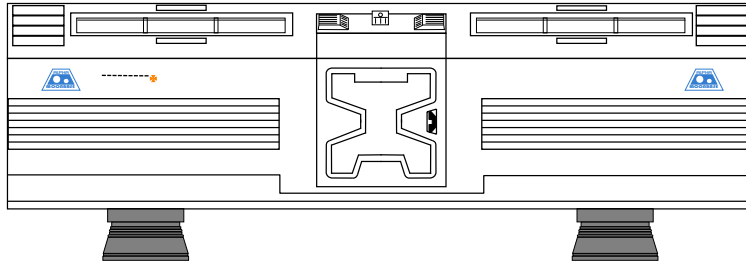
Rear View



1:87 Scaled Eagle Transporter (MPC rework)	
Client:	Date: Aug 15, 2014
Scale 1:1	Sheet:
Draft: #001	3 of 4
Drawn by: Colin Omitusik	
Scale Model Technologies	

Passenger Pod decal placement

Decals used
this step



1:87 Scaled Eagle Transporter (MPC rework)	
Client:	Date: Aug 15, 2014
Scale 1:1	Sheet: 4
Draft: #001	of 4
Drawn by: Colin Omitusik Scale Model Technologies	